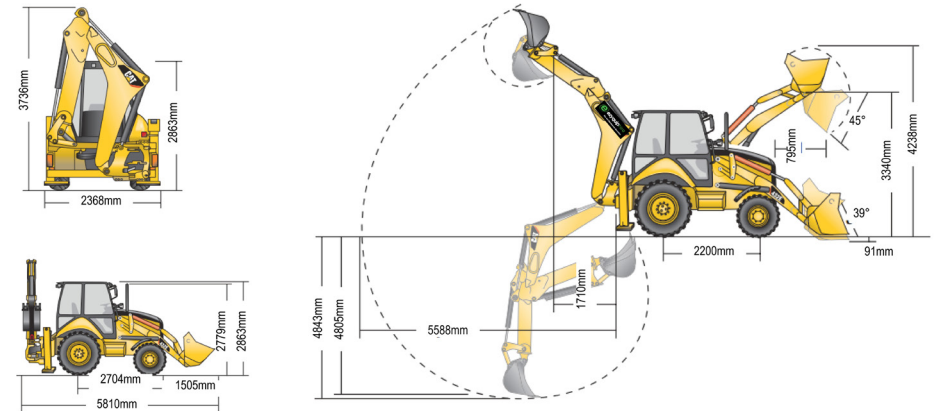


432E BACKHOE LOADER | 8T

PRODUCT SPECIFICATIONS

CAT

Engine	
Model	CAT C4.4
Gross - SAE J1995	70 kW / 95 hp
Net - ISO 9249	67 kW / 91 hp
Net - 80/1269/EEC	71 kW / 97 hp
Net Torque Rise at 1,400 rpm	
70 kW/95 hp	30%
74.5 kW/101 hp	23%
Peak Torque Rise at 1,400 rpm	
70 kW/95 hp	400 Nm
74.5 kW/101 hp	400 Nm
Bore	105 mm
Stroke	127 mm
Displacement	4.4L
Weights	
Operating Weight (nominal/maximum)	7,780 kg / 10,700 kg
Standard Machine Weight	7,952 kg
Fuel Burn	
Low	2.6 - 11.7 Litres per hour
Medium	11.7 - 17.4 Litres per hour
High	17.4 - 20.1 Litres per hour



DISCLAIMER: This Product Specification Sheet was produced 01/2020. Every effort has been made to ensure that the content is accurate, however the contents are subject to change. Information contained in this Specification Sheet is for general information only and does not purport to be comprehensive, current only at the time it is placed in this document compiled from manufacturer and industry sources, and not intended to provide nor make any recommendation upon which you should rely for any purpose whatsoever. Ezyquip Hire makes no warranty express or implied, including without limitation any warranty of merchantability or fitness for any particular purpose. Ezyquip Hire shall not be liable for any special, incidental, or consequential damages or loss of profits resulting from use of or misuse of the general information provided in this document.