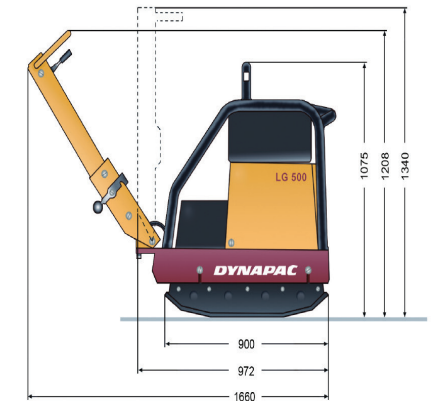
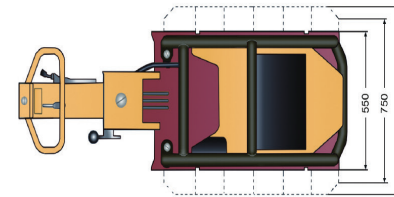


# LG500 PLATE COMPACTOR | 480KG

## PRODUCT SPECIFICATIONS

DYNAPAC

<b>Type</b>	Plate Compactor
<b>Masses</b>	
Maximum Operating Mass	481 kg
<b>Traction</b>	
Speed Range (km/ h)	24m / minute
<b>Compaction</b>	
Centrifugal Force	60 kN
Vibration Frequency	60 Hz
Nominal Amplitude	2.10 mm
<b>Engine</b>	
Manufacturer	Hatz
Type	Diesel, Supra 1D81Z
Rated Power	8.20 kW / 2,270rpm



DISCLAIMER: This Product Specification Sheet was produced 01/2020. Every effort has been made to ensure that the content is accurate, however the contents are subject to change. Information contained in this Specification Sheet is: for general information only and does not purport to be comprehensive, current only at the time it is placed in this document compiled from manufacturer and industry sources; and not intended to provide nor make any recommendation upon which you should rely for any purpose whatsoever. Ezyquip Hire makes no warranty express or implied, including without limitation any warranty of merchantability or fitness for any particular purpose. Ezyquip Hire shall not be liable for any special, incidental, or consequential damages or loss of profits resulting from use of or misuse of the general information provided in this document.