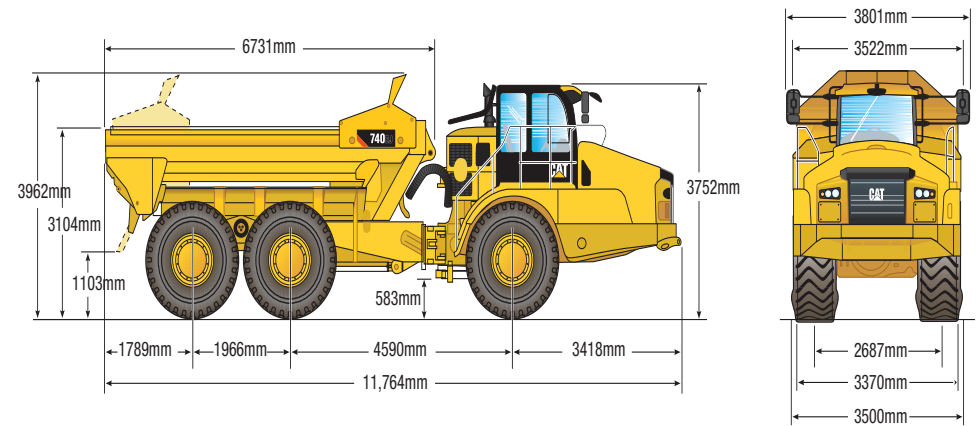


# 740EJ ARTICULATED TRUCK | 38T

## PRODUCT SPECIFICATIONS

CAT

Engine	
Model	Cat C18 ACERT
Gross Power – SAE J1995	381 kW / 511 hp
Net Power – ISO 14396	376 kW / 504 hp
Bore	145 mm / 5.7"
Stroke	183 mm / 7.2"
Displacement	18.1 L / 1,106 <sup>in3</sup>
Weights	
Rated Payload	38 tonnes / 42 tons
Body Capacity	
Heaped SAE 2:1	23 m <sup>3</sup>
Struck	18 m <sup>3</sup>
Fuel Burn	
Low	12.5 - 20.8 Litres per hour
Medium	20.8 - 33.3 Litres per hour
High	33.3 - 41.6 Litres per hour



DISCLAIMER: This Product Specification Sheet was produced 01/2020. Every effort has been made to ensure that the content is accurate, however the contents are subject to change. Information contained in this Specification Sheet is for general information only and does not purport to be comprehensive, current only at the time it is placed in this document compiled from manufacturer and industry sources; and not intended to provide nor make any recommendation upon which you should rely for any purpose whatsoever. Ezyquip Hire makes no warranty express or implied, including without limitation any warranty of merchantability or fitness for any particular purpose. Ezyquip Hire shall not be liable for any special, incidental, or consequential damages or loss of profits resulting from use of or misuse of the general information provided in this document.