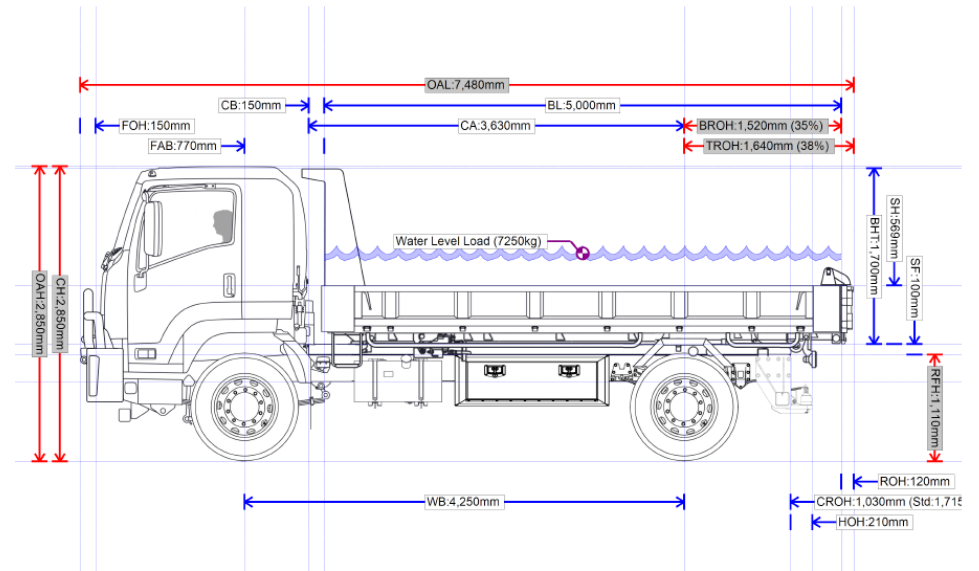


TIPPER TRUCK | 6T

PRODUCT SPECIFICATIONS

VARIOUS

Specifications	
Model	F Series FVR 165-300 MWB
Transmission	ZF 9 S 1110 TO
Engine	6HK1-TCS
GCMR	32,000 kg
GVMR	16,500 kg
Front Axle Limit	66,00 kg
Rear Axle Limit	10,400 kg
Payload Weight	7,250 kg



DISCLAIMER: This Product Specification Sheet was produced 01/2020. Every effort has been made to ensure that the content is accurate, however the contents are subject to change. Information contained in this Specification Sheet is: for general information only and does not purport to be comprehensive, current only at the time it is placed in this document compiled from manufacturer and industry sources; and not intended to provide nor make any recommendation upon which you should rely for any purpose whatsoever. Ezyquip Hire makes no warranty express or implied, including without limitation any warranty of merchantability or fitness for any particular purpose. Ezyquip Hire shall not be liable for any special, incidental, or consequential damages or loss of profits resulting from use of or misuse of the general information provided in this document.